



YLI ELECTRONIC

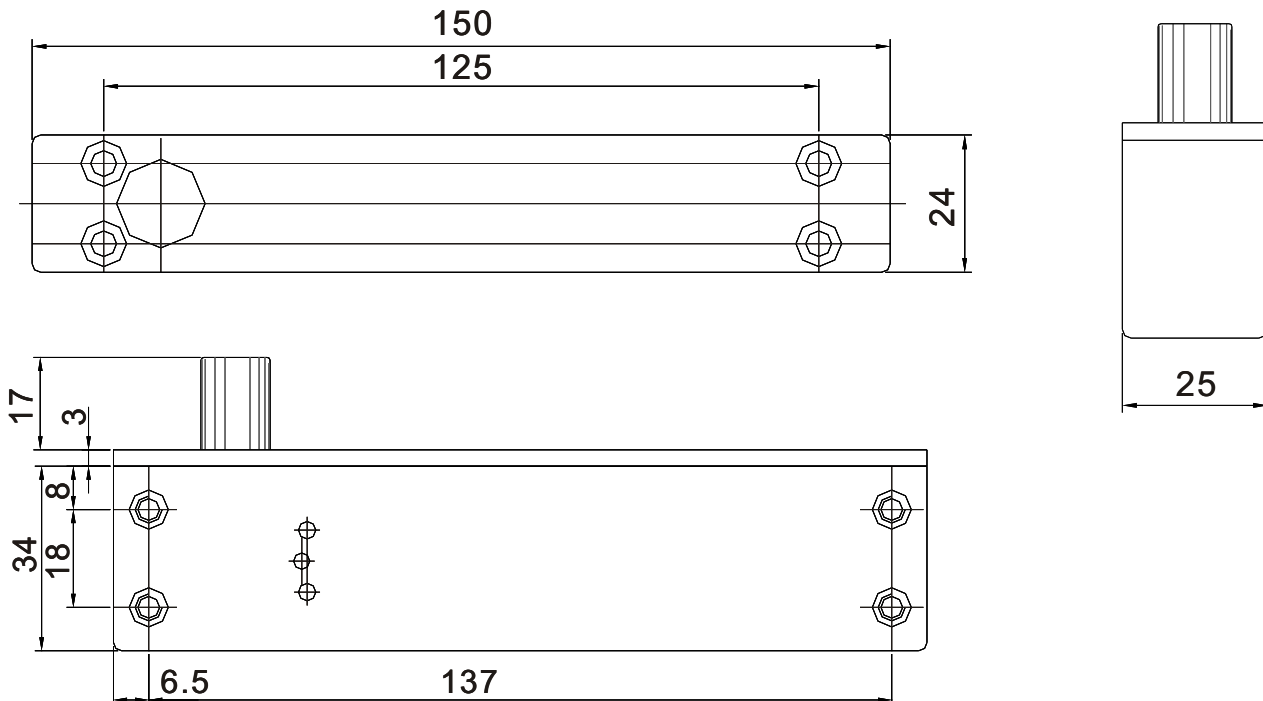
Fail Safe Sturdiness Electric Bolt for Narrow Door Model:YB-500I



Parameters

Face Plate	150Lx24Wx36H(mm)
Bracket	150Lx24Wx36H(mm)
Bolt	16mmDIA, stainless steel 13mm throw
Signal Output	NC/COM
Time Delay	0/3/6/9sec
Voltage	12VDC
Current	Start 960mA, Standby 130mA
Fail Safe	Locked when energized
Suitable for	Sturdiness Electric Bolt for Narrow Door
Weight	1.06kg

Dimensions

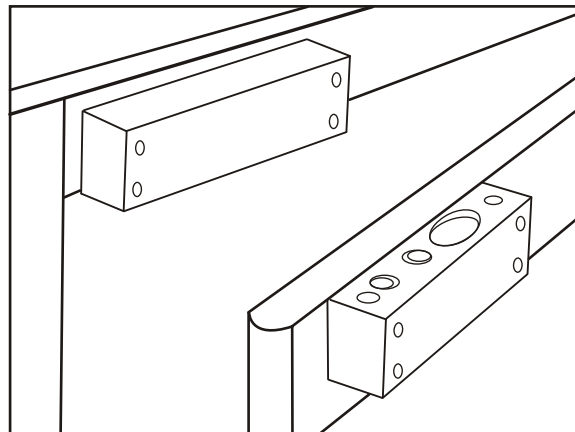
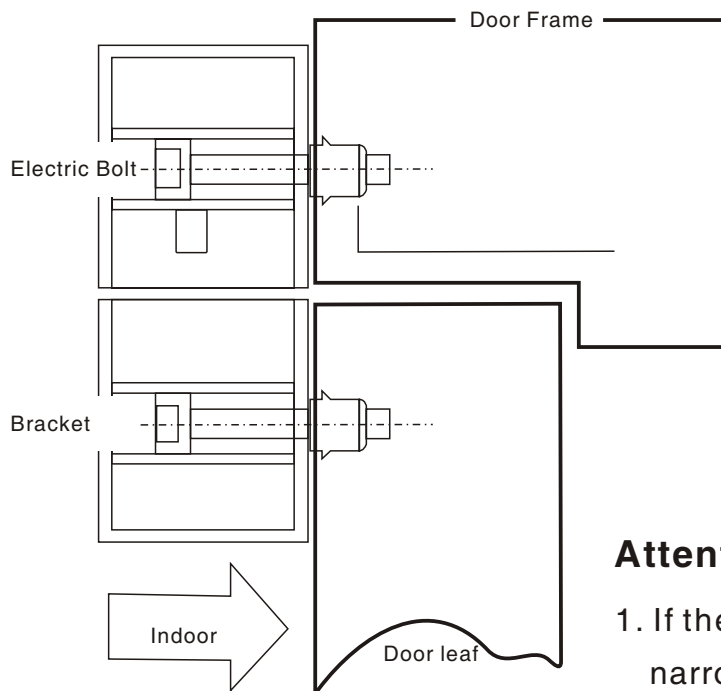


Model	Red	Black	White	Green	Orange
YB-500 I	+	-	COM	NC	Open

**AUTOLOCK TIME
DELAY SETTING**



Installation



Attentions:

1. If the thickness of door frame ,door leaf is too narrow and unable to install the electric bolt, in this specially occasion, need to install the electric bolt for the narrow frame door.
- 2.The gap between the down-bracket and electric bolt is 5-8mm.

Wiring Diagram

